

PORTABLE RESTROOM TRAILERS, LLC

Mobile Restroom Trailers

Provide your guests with LUXURY!

Shower Combo Series 2 station

Enjoy a hot shower just about anywhere at any time.

This two in one, Portable Shower Restroom Trailer, has two individual private shower rooms. With 32x32 shower pan size, self-closing faucets for sink and showers, dispensers for shampoo, soap, paper towel and toilet tissue.

INTERIOR

- 32" X 32" Shower pan
- Self closing faucets (sink & shower)
- Shampoo & soap dispensers
- Stainless steel corner sink w/ solid surface counter top
- Double toilet paper holder
- Shatterproof mirrors
- Ceramic China pedal flush toilet
- Paper towel dispensers
- Waste basket
- Smooth durable white fiber glass walls
- 1 Piece non skid rubber flooring
- 1 Piece ceiling with built in air supply and air return
- Tankless On Demand gas water heater

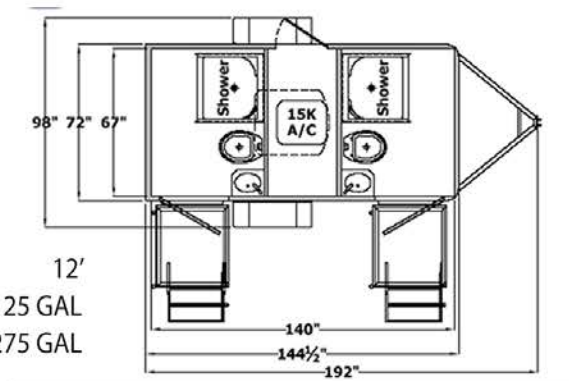
EXTERIOR

- (2) 30lb. L.P. tanks on front
- Automatic door closers
- Occupancy lighting
- 1 Piece aluminum roof
- 12 Volt fluorescent lighting
- Screwless exterior perfect for your business graphics
- Porch lights at all entry doors
- Fold down aluminum steps and platforms with railings
- 3" quick connect waste tank access valve
- LED waste tank indicator
- 3/8" HDPE extrusion welded tanks
- 1" wash out plug
- Fresh water hook up
- 30 amp marine-style power cord
- Roof mounted Air Conditioner
- Insulated walls and ceiling

This quality, American made Comfort Series Portable Shower Restroom trailer comes with a standard three-year manufacturer warranty and a five-year warranty on its axle. Individual appliances (such as the air-conditioning unit) are covered by their manufacturer warranties.

**On-Demand tank less water heating system
dual 30-gallon propane tanks**

LENGTH 12'
FRESH WATER TANK 125 GAL
WASTE TANK 275 GAL



1-877-600-TOILETS